

WEIGHT CAPACITY: lbs (kg) MAX OVERALL: 13000 (5896) MAX PER CARRIER : 1000 (454) CARRIER WEIGHT: 210 (95)
SHELF DIMENSIONS inch (mm) WIDTH: 104 (2642) DEPTH: 20 (508) HEIGHT: 19 (483) SHELF QUANTITY: 13
SHIPPING WEIGHT: lbs (kg) 5735 (2607)

VIDIR

SHELVING CAROUSEL
S39225-1334-08

This drawing is the property of Vidir Solutions Inc. and is submitted for the sole purpose of describing our product offering. It is the customer's responsibility to check building dimensions and verify that these products meet their requirements and fit into the designated area.

UNITS
INCHES
[mm]

Dwg. Rev.

-

Rev'd by:

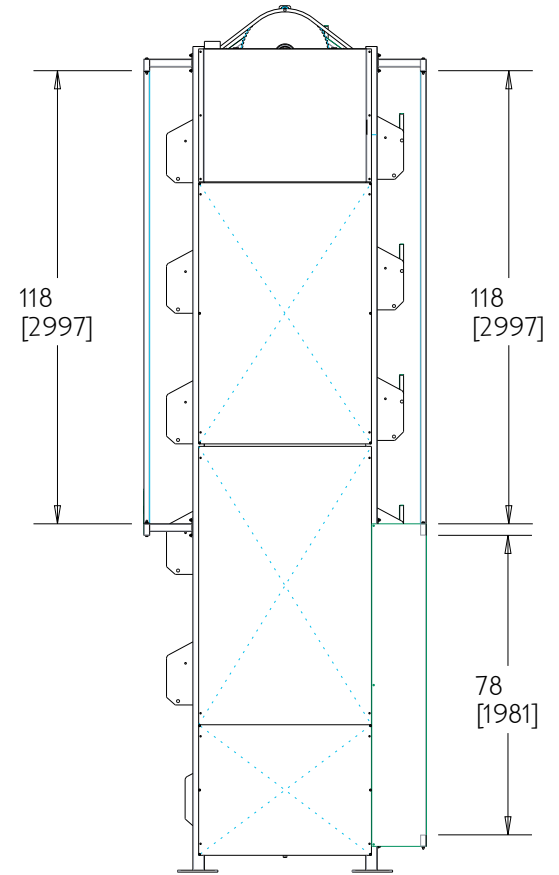
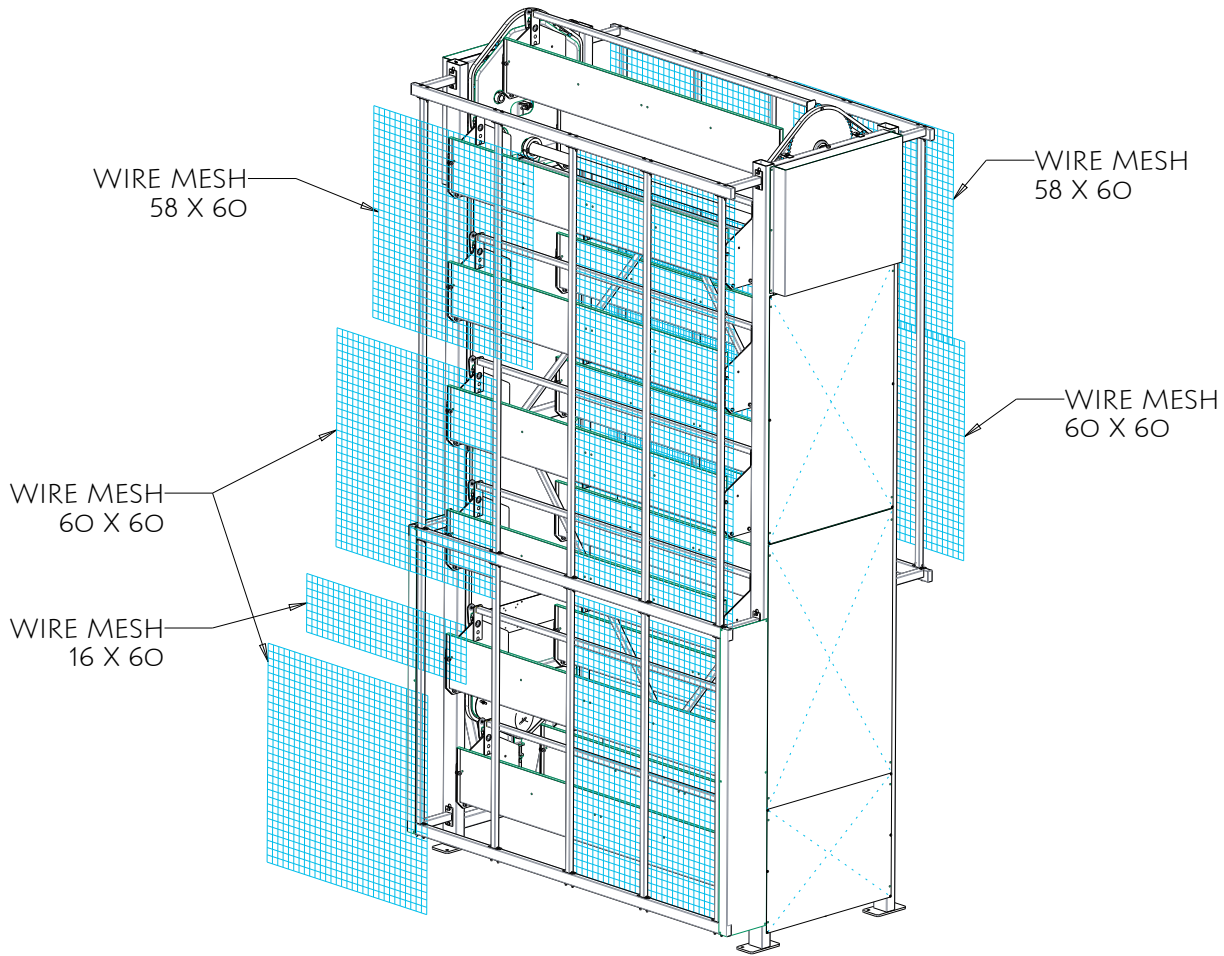
Drawn by:
CH

Drawing Date:
30-Oct-19

Eng Item no:
2-98803

PAGE:
1 of 3

Date:
30-Oct-19

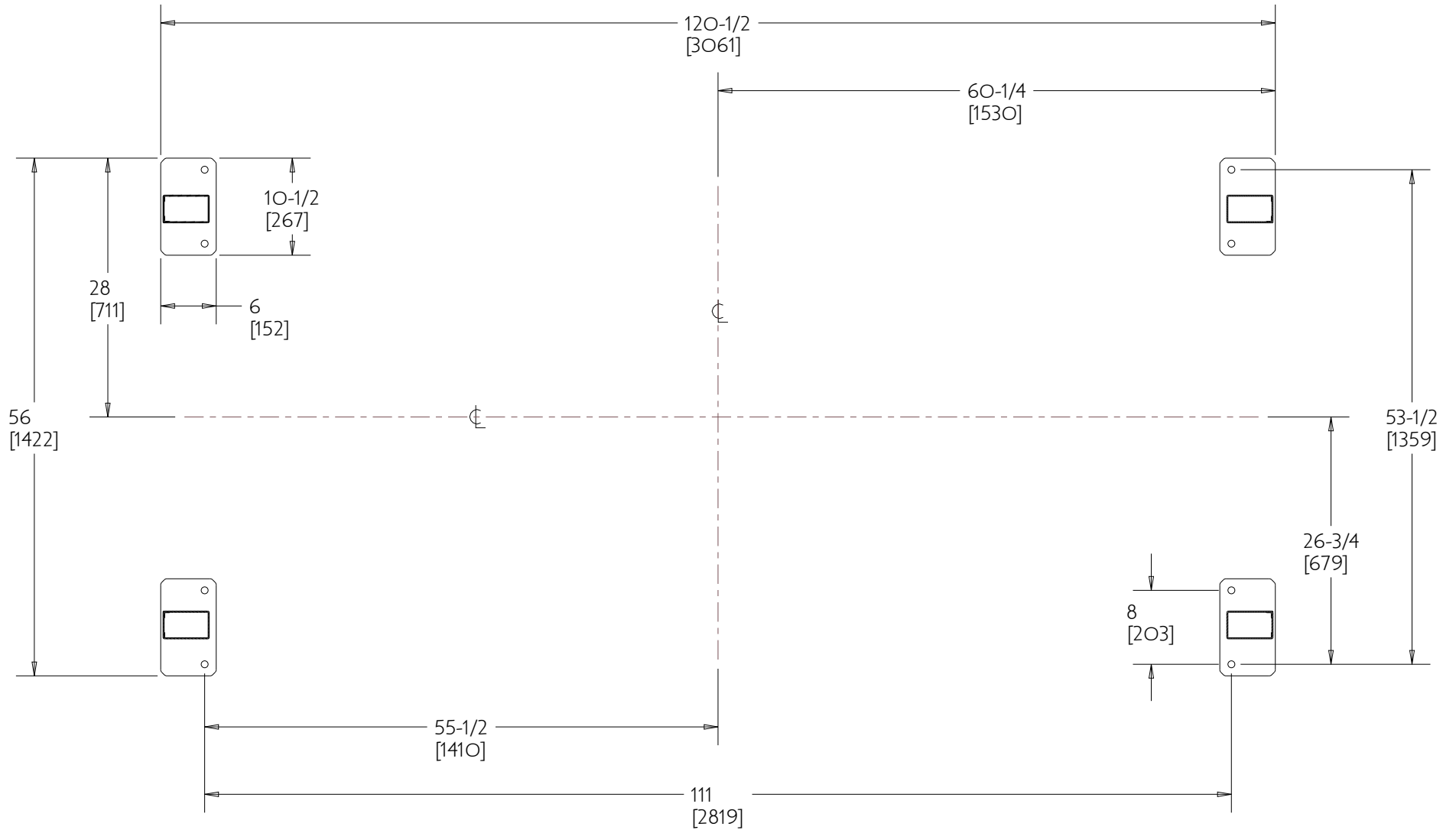


GUARDING DETAIL

Eng Item no:
2-98803

PAGE:
2 of 3

UNITS
INCHES
[mm]



CAROUSEL ANCHORED TO FLOOR USING
 5/8" X 6" HILTI KWIK BOLT TZ
 MINIMUM EMBED. 4"

FOOTPLATE/ANCHOR DETAIL	Eng Item no: 2-98803	UNITS INCHES [mm]
	PAGE: 3 of 3	