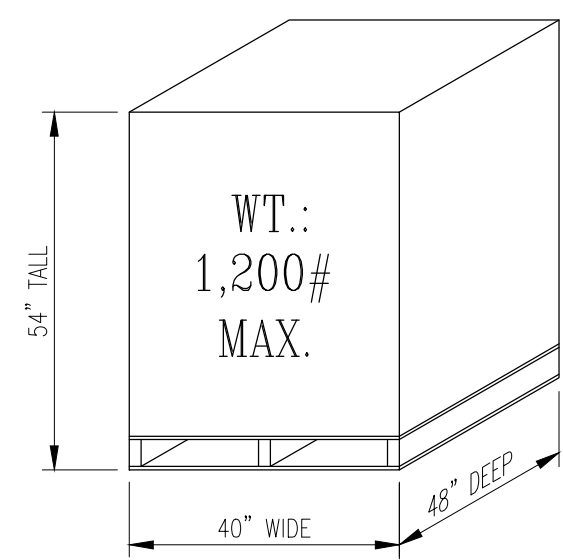
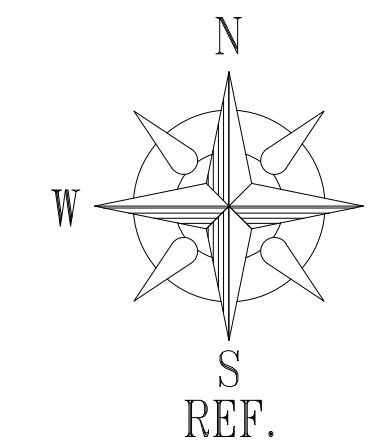


6 DEEP PUSHBACK RACK LAYOUT

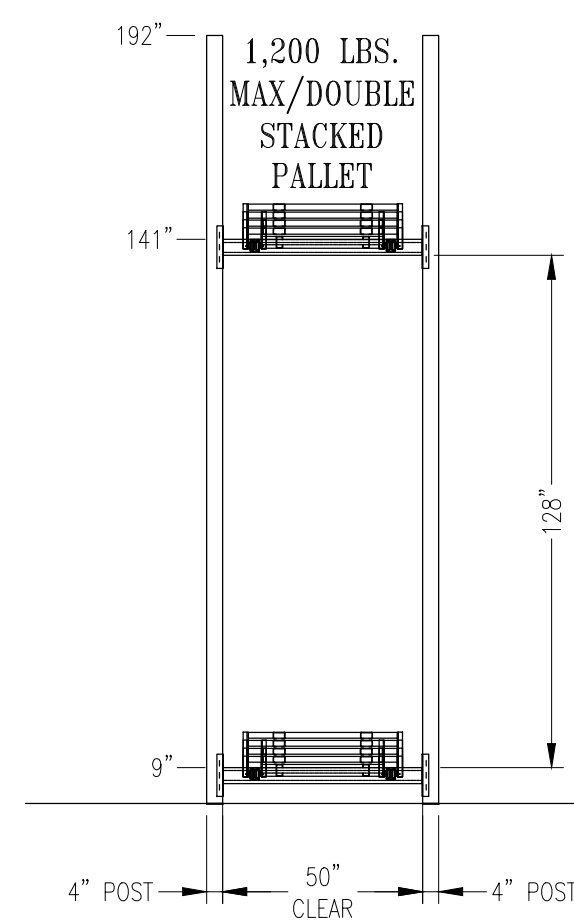


PALLET DETAIL

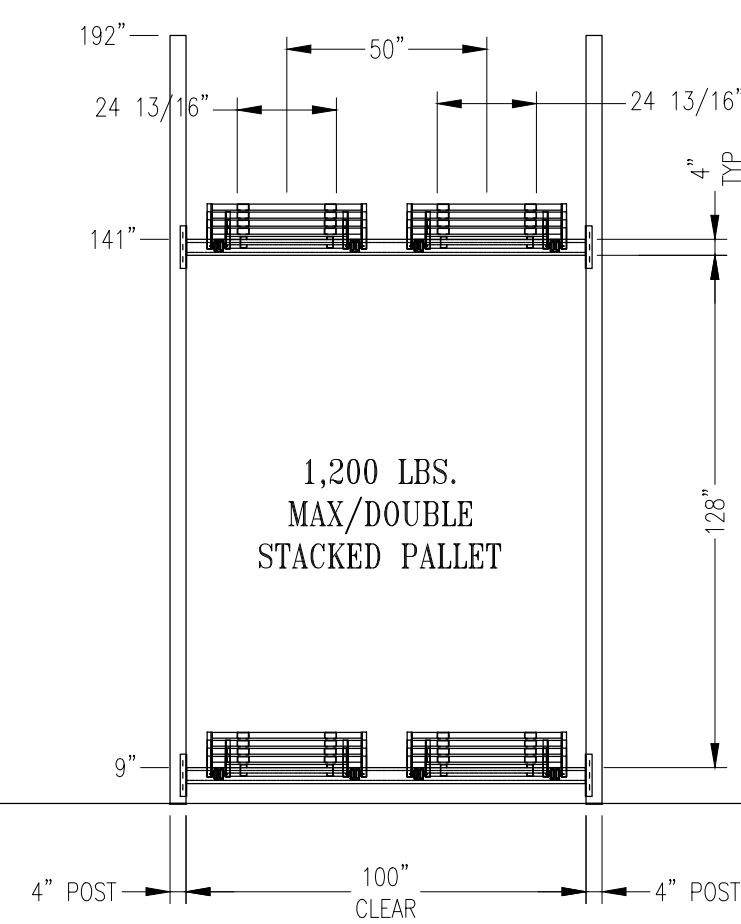
PALLET DIM = 41" W x 49" D
LOAD + PALLET DIM = 41" W x 49" D x 108" H

PUSHBACK NOTE:

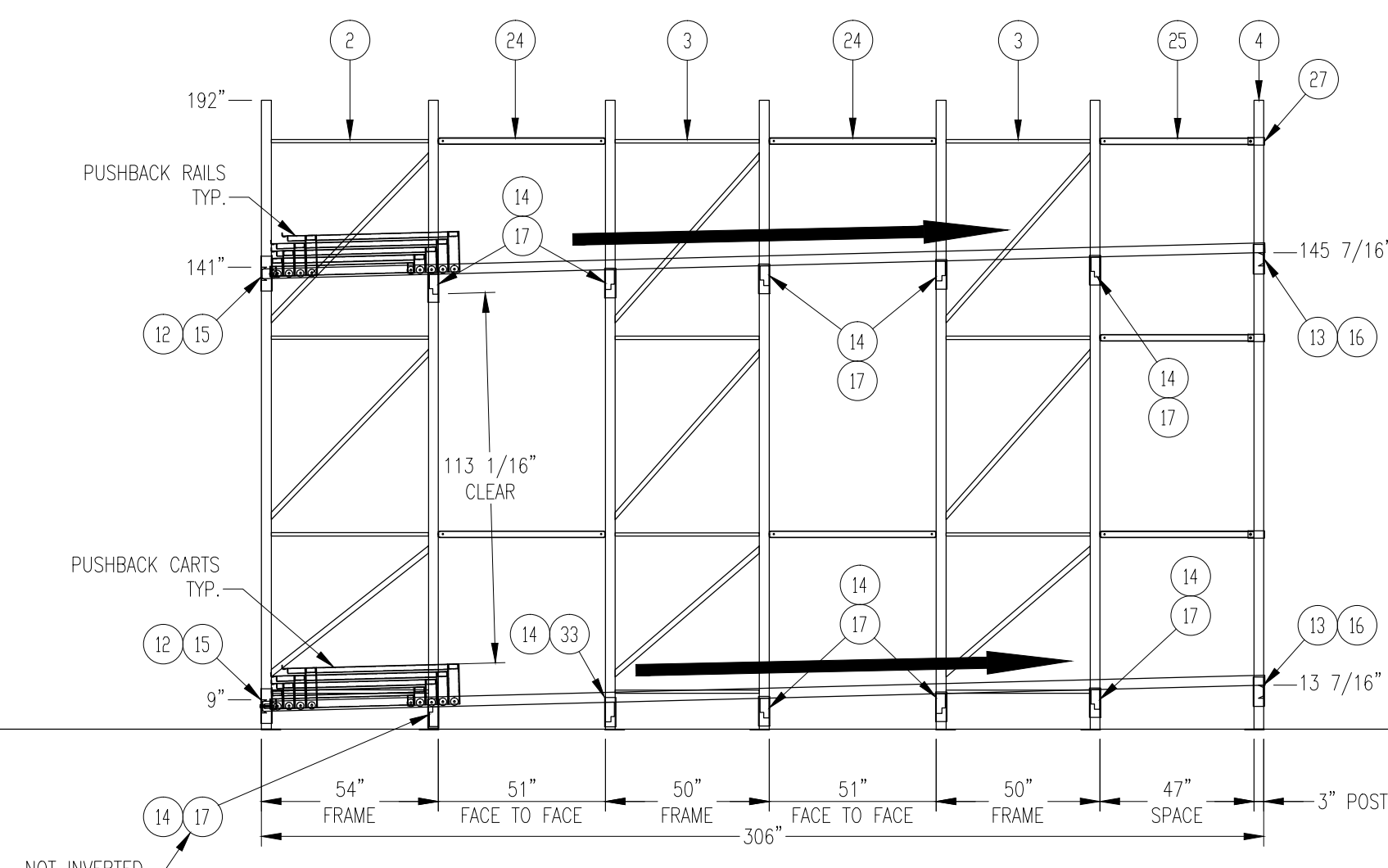
- 1) THE POSITION AND THE SLOPE OF THE PUSHBACK SHELVES ARE APPROXIMATE. THE PRODUCT WILL DETERMINE ACTUAL SLOPE REQUIRED FOR PROPER FLOW OF THE SHELF. THE CUSTOMER NEEDS TO APPROVE FLOW & CONFIGURATION OF FIRST BAY PRIOR TO COMPLETION OF INSTALLATION.
- 2) TYPICAL SLOPE IS 5/16" PER 12".



HALF BAY
8 BAYS



PROFILE
40 BAYS



6 DEEP PUSHBACK RACK SECTION



REV	BY	DATE	APP'D	REVISIONS

UNARCO
MATERIAL HANDLING
701 16th AVE EAST
P.O. BOX 547
SPRINGFIELD, TN 37172
PH: 615-384-3531 FAX: 615-384-8468

DRAWN JAE	DATE 10-04-13	USE DIMENSIONS SHOWN DO NOT SCALE DRAWING
CHECKED	DATE	
APP'D	DATE	

DESCRIPTION 6 DEEP PUSHBACK			
USED ON S			
QUOTE NO	JOB NO	DRAWING NO	REV.